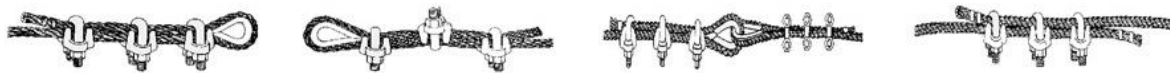
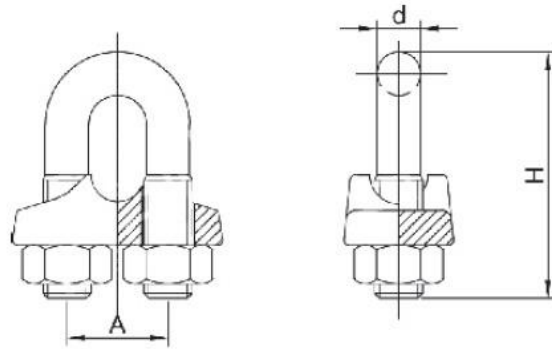


## Wire Rope Clip

- According to GB5976-2006
- Wire rope clip for rope terminations.
- Surface:galvanised.



Specifications		Size (mm)		
Metric	Inch	d	A	H
KT-M6	1/4	8	19	26
KT-M8	5/16	10	22	35
KT-M10	3/8	12	25	38
KT-M12	7/16	13	30	48
KT-M 14	1/2	13	30	48
KT-M 16	9/16	14	33	57
KT-M 18	5/8	14	33	60
KT-M 20	3/4	16	38	70
KT-M 22	7/8	19	45	79
KT-M 24	1	19	48	89
KT-M 28	1 1/8	19	51	99
KT-M 32	1 1/4	22	59	108
KT-M 36	1 3/8	22	60	118
KT-M 40	1 1/2	22	70	125
KT-M 44	1 5/8	26	70	135
KT-M 48	1 3/4	29	78	146
KT-M 52	2	32	86	164
KT-M 56	2 1/4	32	99	181
KT-M 60	2 1/2	32	105	195